

Baton series 'A' Mortise lock cases of the Storeroom function (without deadbolt) and Dormitory function (with deadbolt) are available to order with electrified operation; and are applicable both for single and double cylinders. Special function may be available. Please call Baton's CSR for availability.

**Storeroom (F 07)**

Latch operated by knob/lever from inside, by key from outside. Outside knob/lever is always inoperative, except when solenoid release button is pressed 'ON' by authorized person from inside or key pad outside.

**Dormitory without egress (F 11)**

Same as above, except when projected deadbolt locks knobs/levers either side. Then deadbolt by key outside, by turn piece inside, automatically unlocking inside knob/lever. Continuing to turn the key from either side, will operate the latch. The outside keypad or inside authorized solenoid release button work only when deadbolt is withdrawn. Double cylinders are applicable.

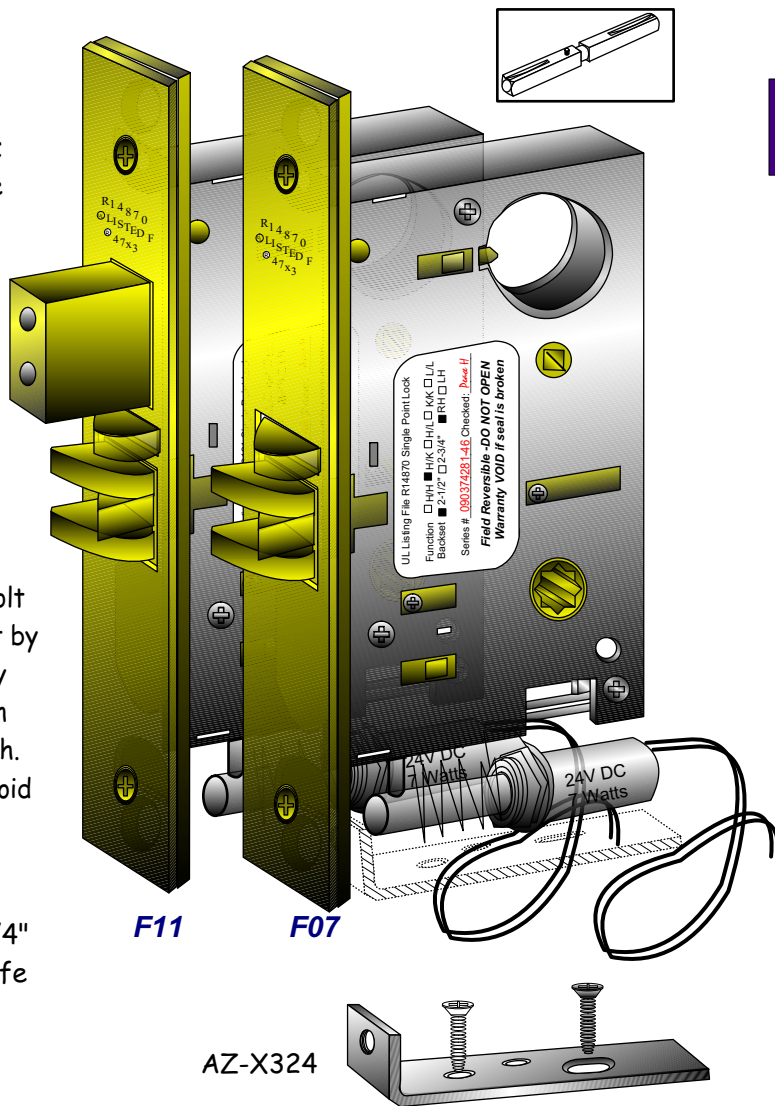
Life rating of 25 million actuations STA 3/4" Tubular Solenoid. Can be ordered in Failsafe or Failsecure. Please specify.

Backsets available:

2", 2-1/2", 2-3/4" 3-1/2"

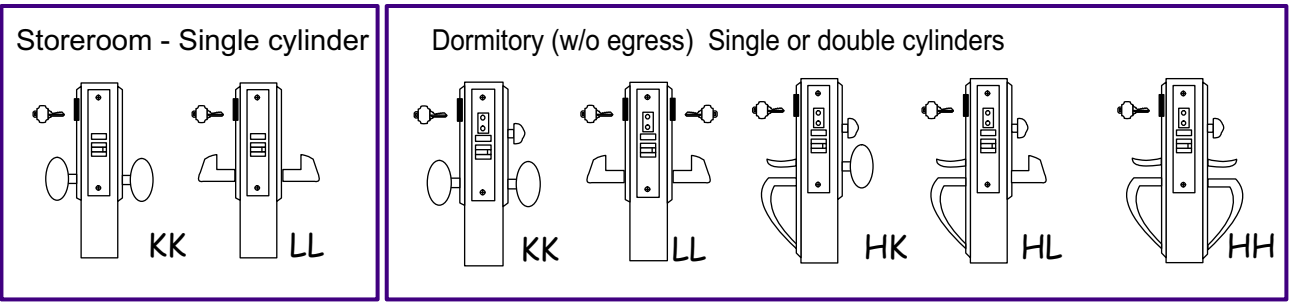
Model AZ-X324 Mounting Bracket is optional. Can be bolted to the lower side of door mortise to stabilize the lock installation.

*Specify handing and Trim style to match when ordering.*



*Failsafe - Locked when energized  
(require power to lock)*

*Failsecure - Unlocked when energized.  
(require power to unlock)*



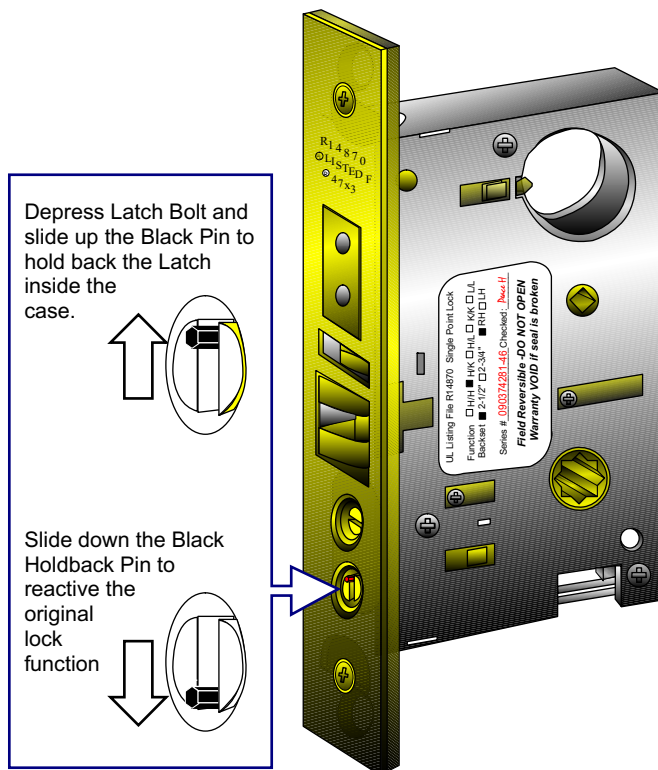
## Mortise Lock cases with Holdback feature

A09

Baton series 'A' Mortise Lock Cases are available to order with holdback feature. A black Holdback Pin is constructed inside the lower Release Button.

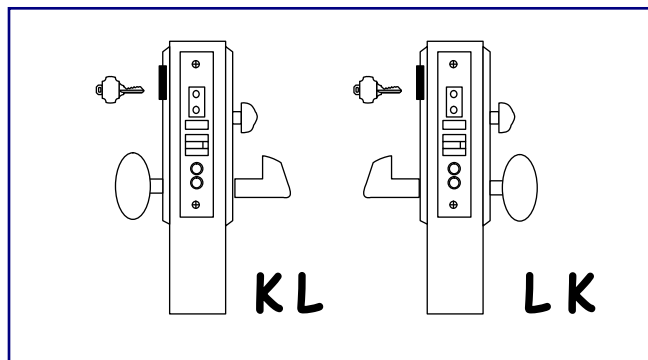
Simply depress the Latch Bolt or withdraw by inside Lever/Knob and slide up the black Holdback Pin that is located on the lower Release Button to hold back the Latch. The function of the lock is now entirely rigid, and the door can be pushed open. Sliding down the black Holdback Pin thus releases the Latch, and automatically reactivates the lock functions.

Outside Lever/Knob/Thumb piece is always rigid. Specify handing when ordering. Handing is not filed-reversible. Please call Baton's CSR for functions available.



## Mortise lock cases for L/K or K/L - Special Trim combinations

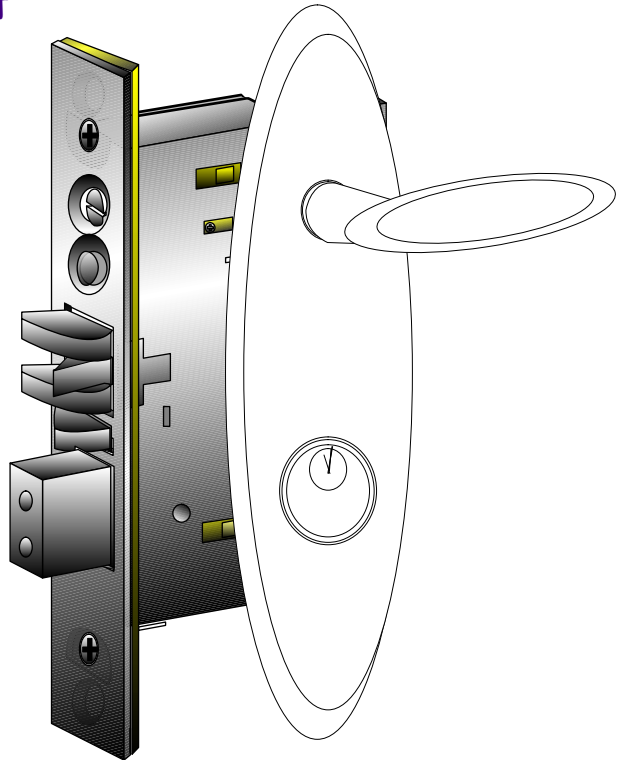
Baton Series 'A' mortise lock cases can be ordered to operate with Knob trim one side and Lever trim another side. Most of the functions are available. Please call Baton's CSR for details.



## Lever above the cylinder mount

Baton series 'A' Mortise Lock Cases of L/L (lever/lever) function can be ordered with lever be installed above the cylinder.

Please call  
Baton's CSR for functions available.



A10

## Lift up the outside Lever to lock the Deadbolt

Baton series 'A' Mortise Lock Cases of L/L (lever/lever) function can be ordered to the special function - to throw the deadbolt without using a key. The Deadbolt can be thrown and deadlock the door simply by lifting the exterior Lever.

Please call  
Baton's CSR for functions available.

